

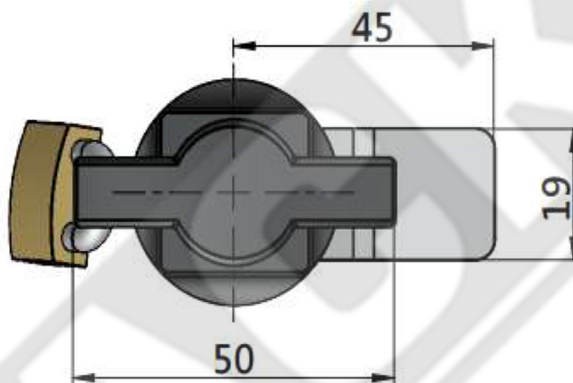
For Product Step File or 3D Model Send a Request Mail To info@nrack.com



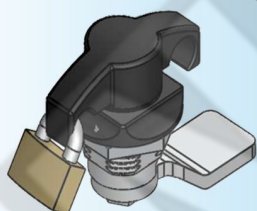
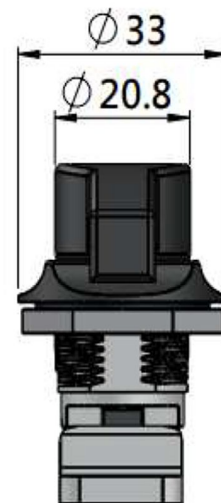
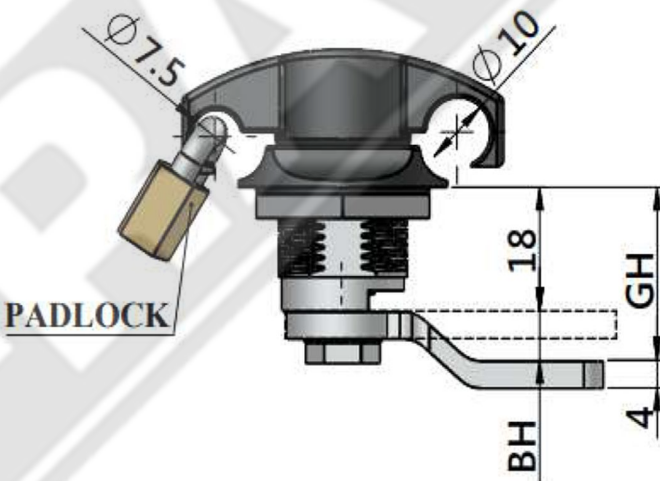
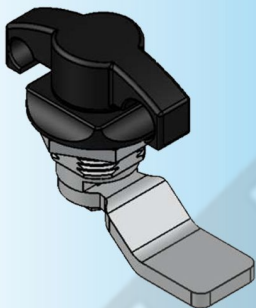
Photo View



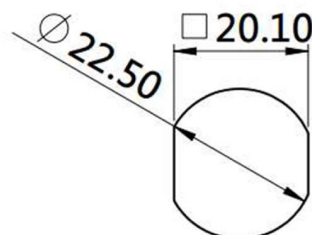
Quarter turn Padlockable



3D Rendered View



NY 1406



CUT OUT

- Material: zinc die, steel cam
- Surface: sand grain black
- Door thickness: 1~5mm
- Notes: cam size □8 × 8